

Professionals in the Tea Machinery Business



MAHENDRA ENGINEERS

MACHINERY APPROVED AND RECOGNISED BY THE TEA RESEARCH INSTITUTE OF SRI LANKA.

TECHNICAL SPECIFICATIONS

MODEL	OUTPUT, BLACK TEA PER HOUR	OIL CONSUMPTION	FIREWOOD CONSUMPTION	POWER REQUIREMENT
M6	275 - 300 Kg / HR.	10 Gals / HR.	0.85 Yd ³ / HR.	20.6 Kw.
M. A. 5	200 - 240 Kg / HR.	9 Gals / HR.	0.7 Yd ³ / HR.	20.6 Kw.
M. B. 4	150 - 175 Kg / HR.	8 Gals / HR.	0.6 Yd ³ / HR.	12.35 Kw.

DIMENSIONS

MODEL	CHAMBER	HEATER
M6	10,000 X 2430	4900 X 3000
MA5	10,000 X 2130	4900 X 3000
MB4	10,000 X 1820	4600 X 3000

CUSTOM BUILT DRYING CHAMBER

All models of MAHENDRA tea driers can be coupled to existing heaters or new heaters of clients choice. However, the heaters should be capable of generating the required hot air for our chambers.

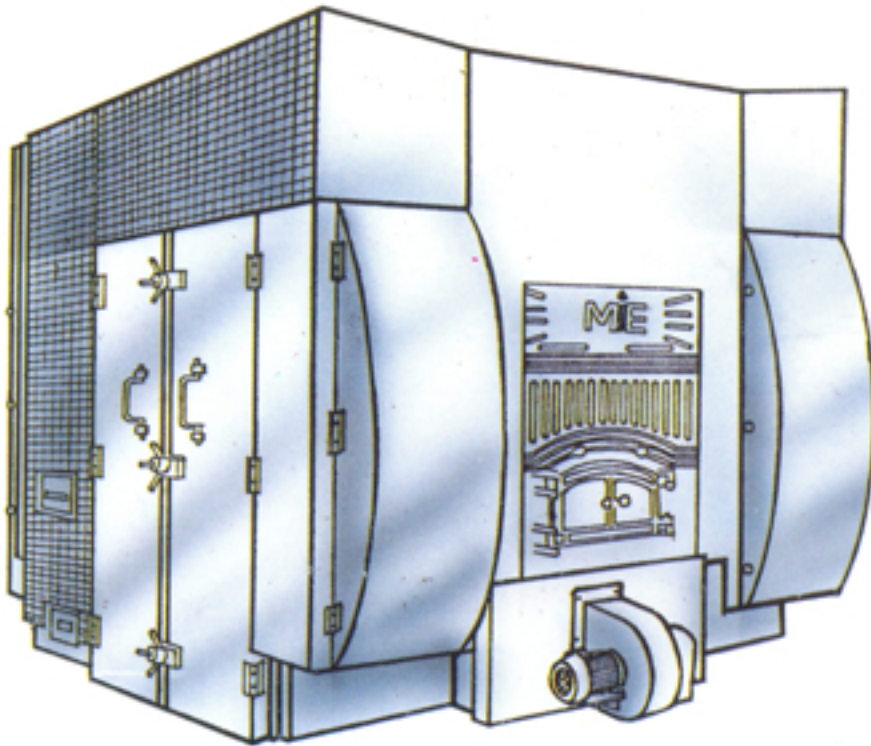
DRYING CHAMBER

The drying chamber is a two stage double circuit low pressure unit with a built in feeder. Motorized adjustable Rotary leaf spreader and indicator. Motorized infinitely variable speed gear unit for the tray circuits. And coupled to a high efficiency double in-let type centrifugal fan.

FDC CONTROL EQUIPMENT

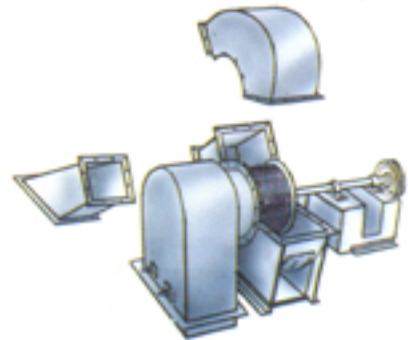
The forced draft combustion control equipment is supplied with all Wood fired heaters. This unit automatically controls the drier in-let temperature within set limits, increases heater efficiency and cuts down fire wood consumption.

AIR HEATER



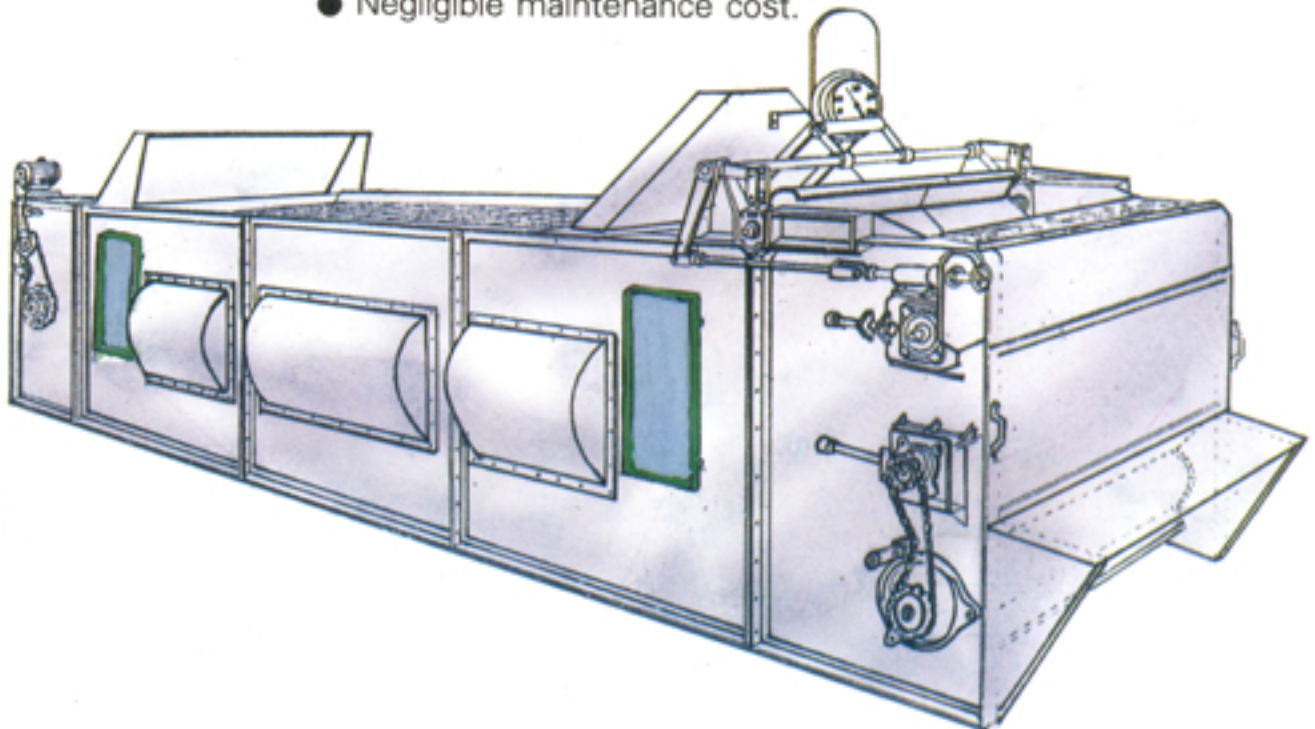
The air heater is capable of a thermal efficiency of 84%. The burnt gases after combustion passes through a series of tube banks which is a Three pass type, and is exhausted to the atmosphere through an under ground flue using an induced draft fan of the centrifugal type. The heater can be arranged for Wood, coal or oil firing.

I. D. FAN



SPECIALTIES OF THE MAHENDRA TEA DRIER

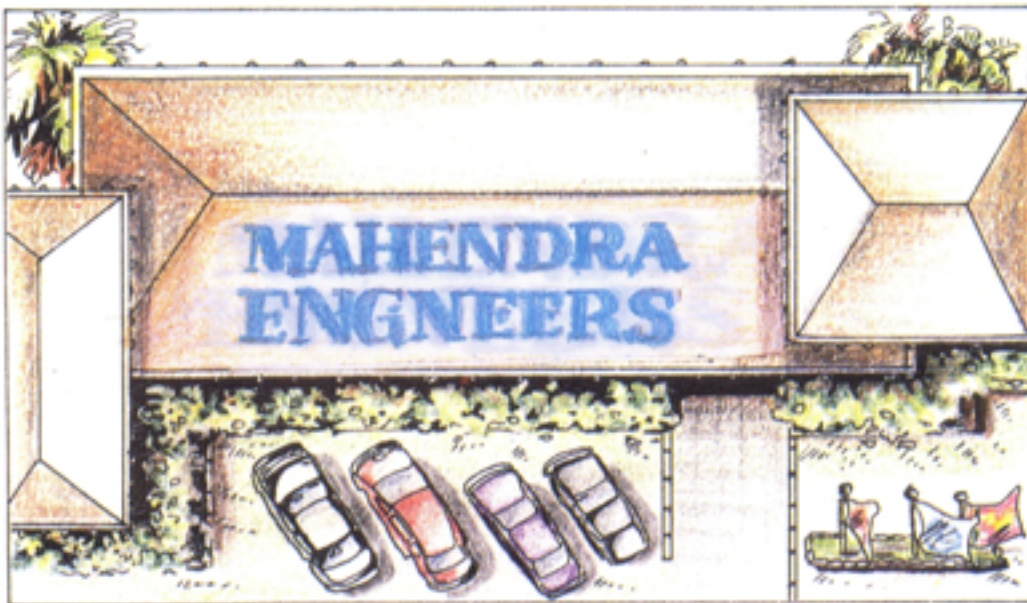
- The tea is evenly fired.
- The tea is denser.
- The tea is Blacker.
- Longer shelf life.
- Lowest firing cost on Wood fuel.
- Better out turns.
- Superior keeping qualities resulting from even firing.
- Wither variations do not effect consistency of quality.
- MAHENDRA tea driers preserve all the characteristics of tea.
- Negligible maintenance cost.



PRODUCT RANGE

- ECP Tea Dryers
- Withering Fans
- Conveyors
- Monarch Oil Burners
- Alsomac Colour Sorters
- Sifters etc.

**WE ARE REGISTERED WITH THE
SRI LANKA TEA BOARD**



MAHENDRA ENGINEERS

44A 2/1 Dickman's Road, Colombo 05, Sri Lanka.

Tel: 595378, 596657

Fax: 595964